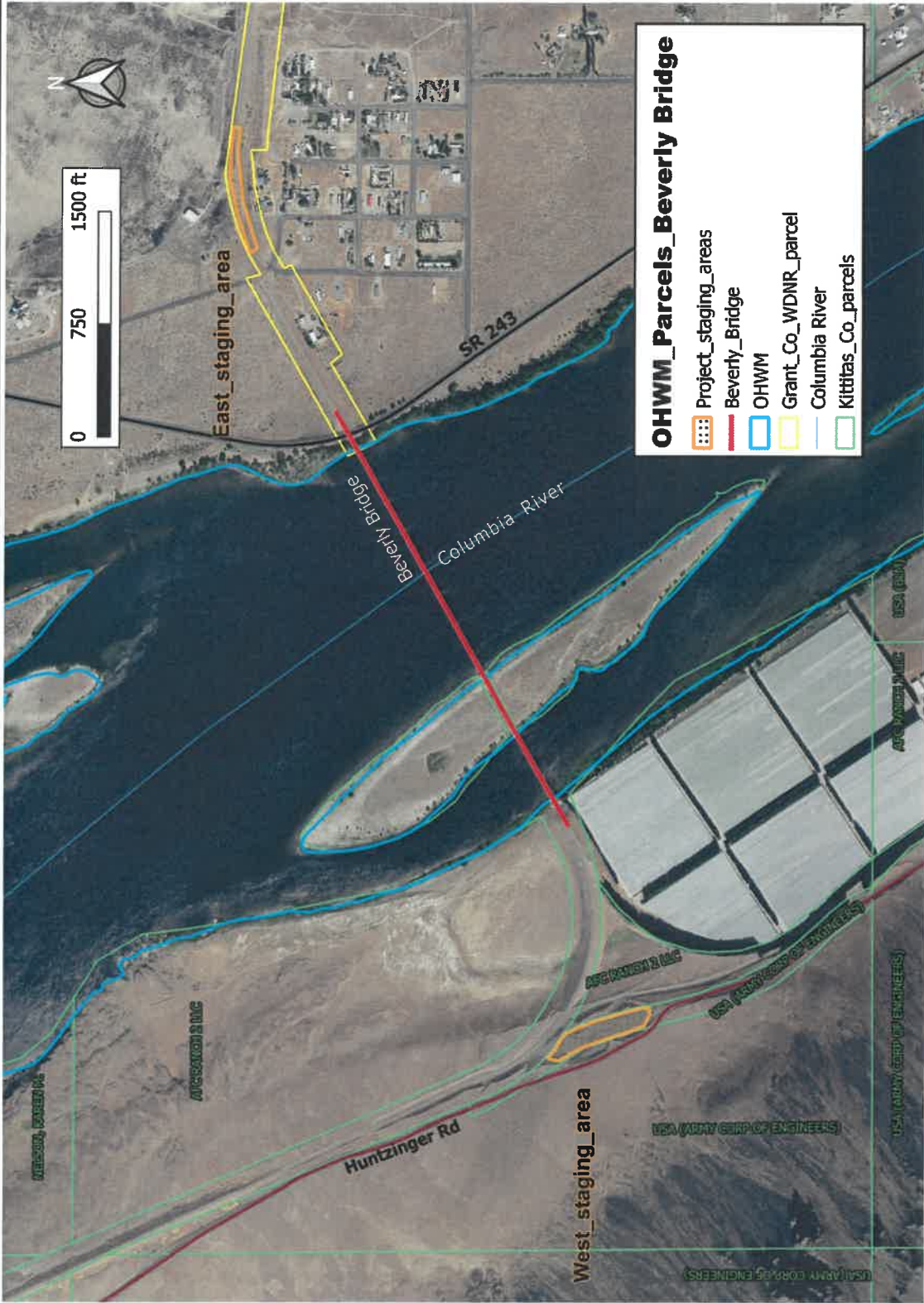
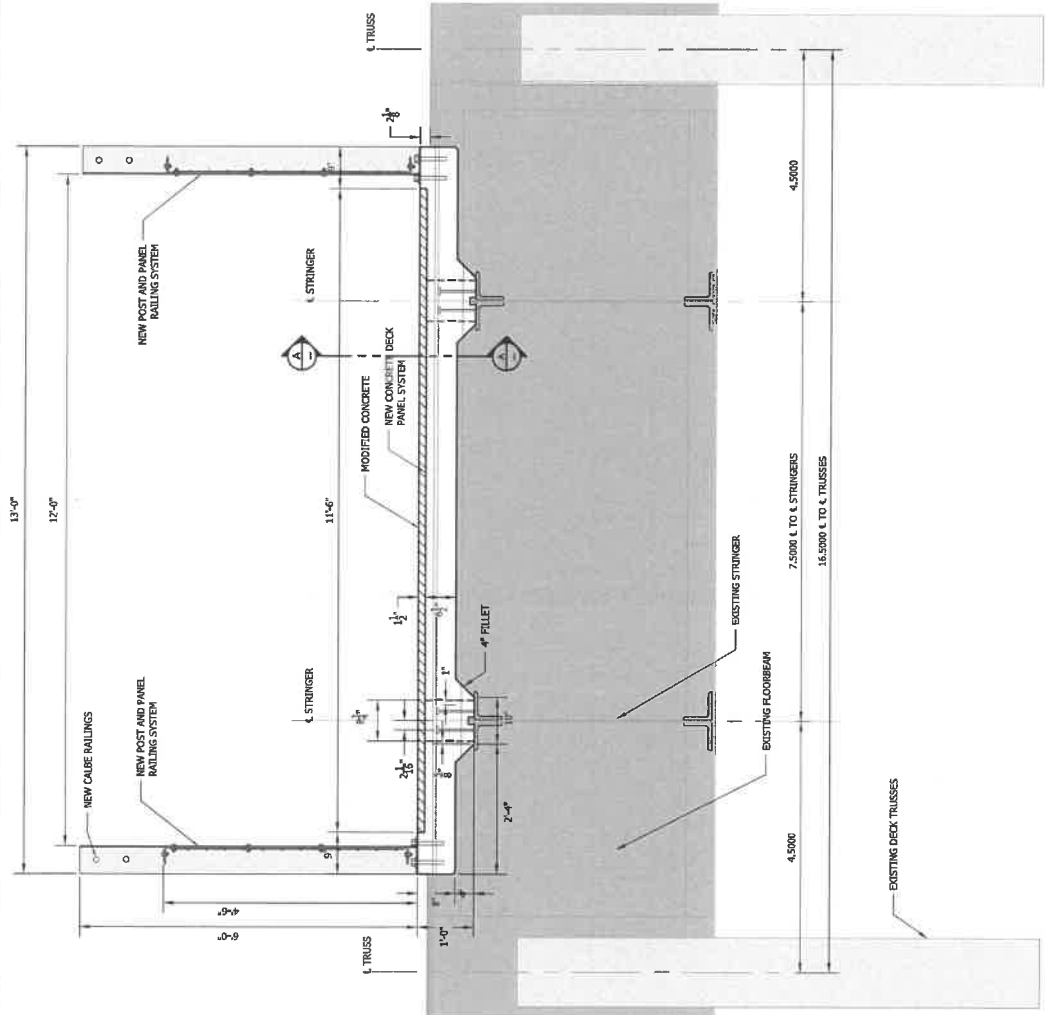


- Project staging_areas_Beverly Bridge**
- Project staging_areas
 - Beverly Bridge
 - OHWM
 - Beverly
 - Shoreline_Designations_GrantCo
 - Rural Conservancy
 - Shoreline_Master_Program_KittitasCo
 - Natural
 - Rural Conservancy



PROJECT NO. 1938 SHEET NO. 3 of 5	Beverly Bridge Rehabilitation 2/14/2020	WASHINGTON STATE PARKS AND RECREATION COMMISSION	 8729 Commerce Pl. Dr. NE Lynn, WA 98516 (509) 357-9289 www.elitech.com	Ordinary High Water Mark with Construction Staging Areas and Parcel Ownership in Kittitas County and Grant County
SHEET OF				



TYPICAL SECTION
216' SPAN
SCALE 1/4" = 1'-0"

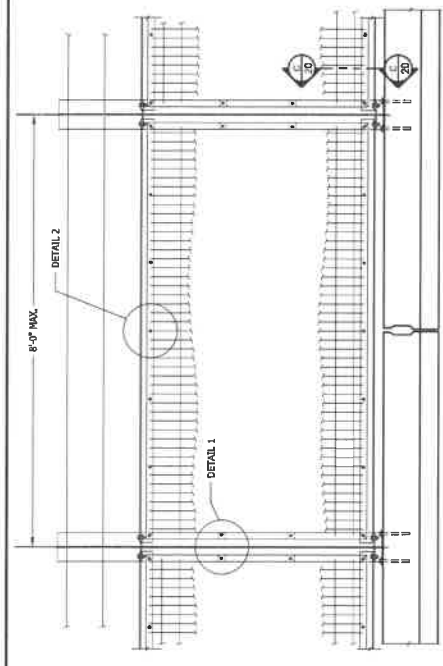
Typical Deck Section


 exceltech
 8739 Commercial Pt. Dr. NE
 Lynn, WA 98556
 (360) 357-9289
 www.exceltech.com

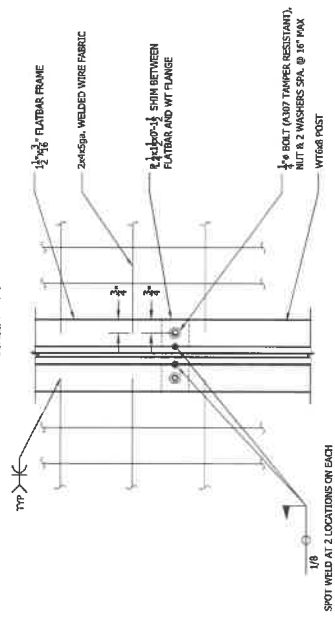
WASHINGTON
 STATE
 PARKS
 AND
 RECREATION
 COMMISSION

Beverly Bridge Rehabilitation
 2/14/2020

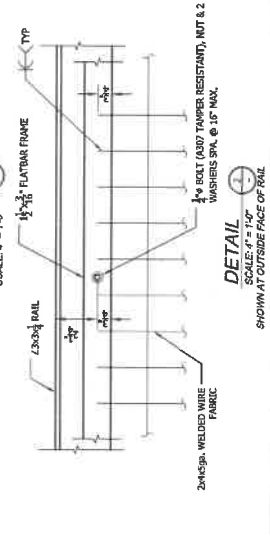
PROJECT NO.
 1938
 SHEET NO.
 4 of 5
 SHEET OF



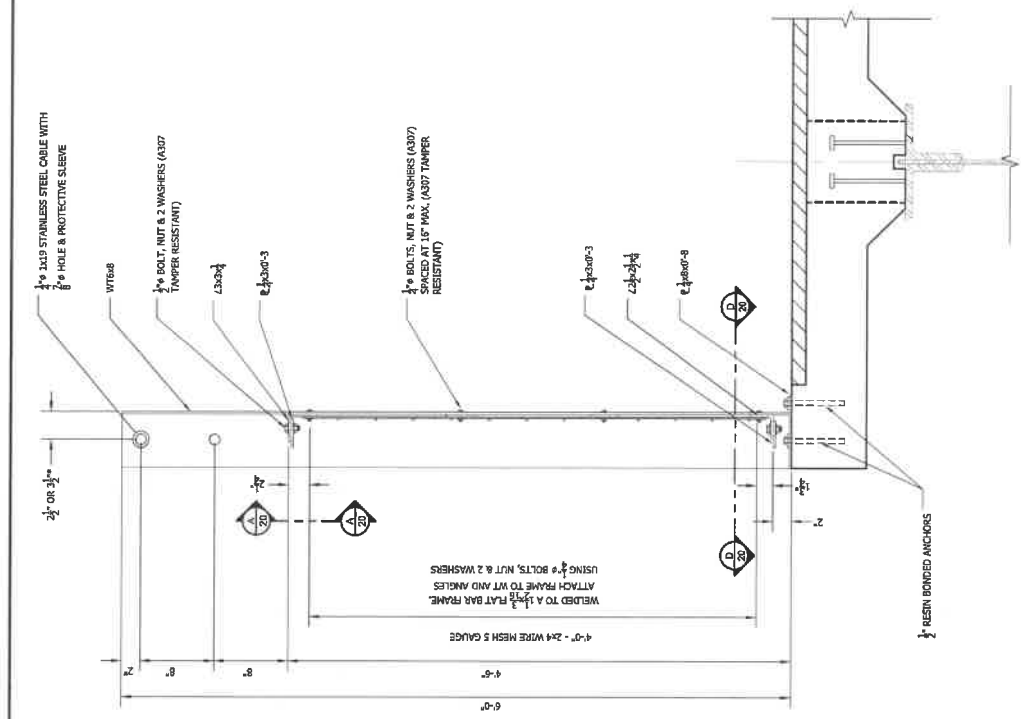
TYPICAL RAILING OUTSIDE ELEVATION
SCALE: 1" = 1'-0"



DETAIL
SCALE: 4" = 1'-0"



DETAIL
SCALE: 6" = 1'-0"



TYPICAL RAILING SECTION
SCALE: 2" = 1'-0"

* OFFSET CABLE RUNS. ALTERNATE OFFSETS FOR 30" MAX. CABLE RUNS.

Typical Hand Rail Section and Elevation

8739 Commerce Bl. D., NE
Lacey, WA 98556
(800) 357-8289
www.eltech.com

WASHINGTON STATE PARKS AND RECREATION COMMISSION

Beverly Bridge Rehabilitation
2/14/2020

PROJECT NO. 1938
SHEET NO. 5 of 5
SHEET OF